



COOKING EQUIPMENT

SERVING THE FOOD INDUSTRY SINCE 1951

66 L COUNTERTOP CONVECTION OVEN WITH GRILL FUNCTION AND HUMIDITY CONTROL

Item: 44519

Model: CE-CN-0066-G



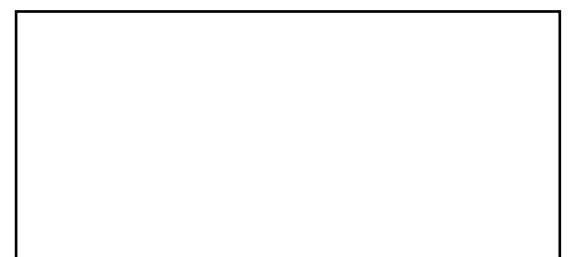
This light-medium duty commercial convection oven is designed perfectly for coffee shops, small bakeries and restaurants. Features adjustable timers and temperature controls to ensure that your baked goods cook evenly to perfection.



Available in Canada only



WARRANTY
PARTS AND LABOR



Authorized Dealer

COOKING EQUIPMENT

COUNTERTOP CONVECTION OVEN WITH GRILL FUNCTION AND HUMIDITY CONTROL



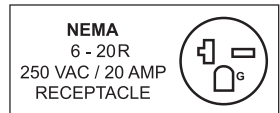
Features:

- 66L compact size and space saving
- Stainless steel interior and exterior
- Forced air convection for even cooking
- Double pane glass door
- Interior lighting
- 0-120 minutes timer
- 65-300°C/150-550°F adjustable temperature range
- Constructed with heating protection
- Accommodation: (4) 17.7"x13"/450x330mm wire rack or (4) half-size sheet pan or (4) 17" x 13"/ 435x330mm baking tray

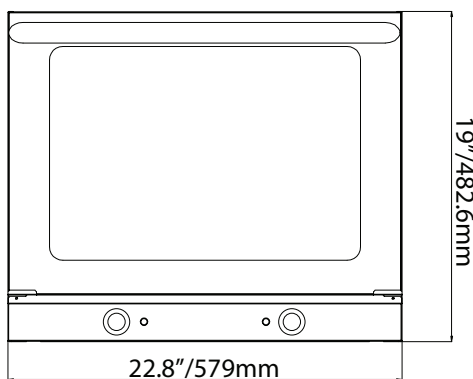
TECHNICAL SPECIFICATION

ITEM NUMBER	44519
MODEL	CE-CN-0066-G
POWER	2800W
NUMBER OF RACKS	4
PANS SIZE*	18" x 13"/ 460 x 330mm
TEMPERATURE RANGE	65-300°C/ 150-550°F
CAPACITY	66L (half-size pan)
ELECTRICAL	220V/60Hz/1
ADJUSTABLE TIMER	0-120 minutes
NET WEIGHT	52lbs/ 23.6kg
GROSS WEIGHT	59.5lbs/ 27kg
NET DIMENSIONS	22.8" x 22.44" x 20"/ 580 x 570 x 510mm
GROSS DIMENSIONS	26" x 25.6" x 22.8"/ 660 x 650 x 580mm

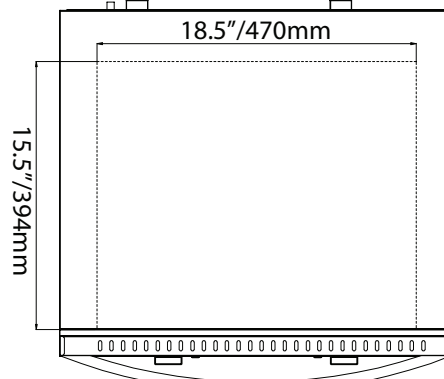
*Pans not included



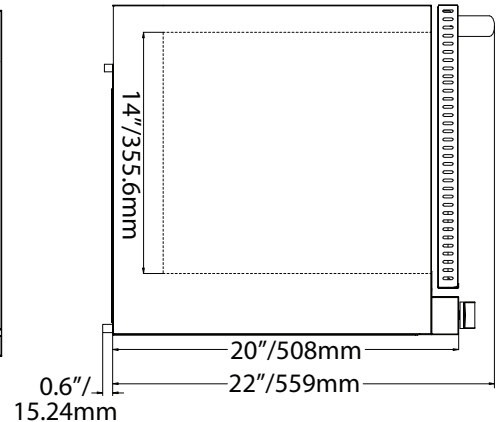
(Front view)



(Top view)



(Side view)



OMCAN INC.

Telephone: 1-800-465-0234
 Fax: (905) 607-0234
 Email: sales@omcan.com
 Website: www.omcan.com



Follow us to keep up to date with the latest news and offers

